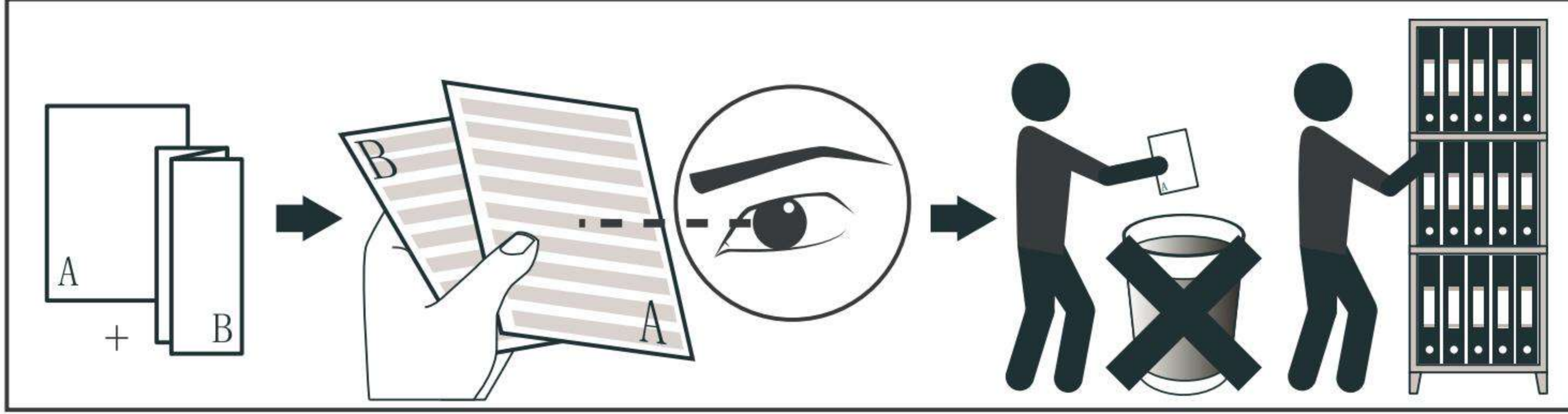
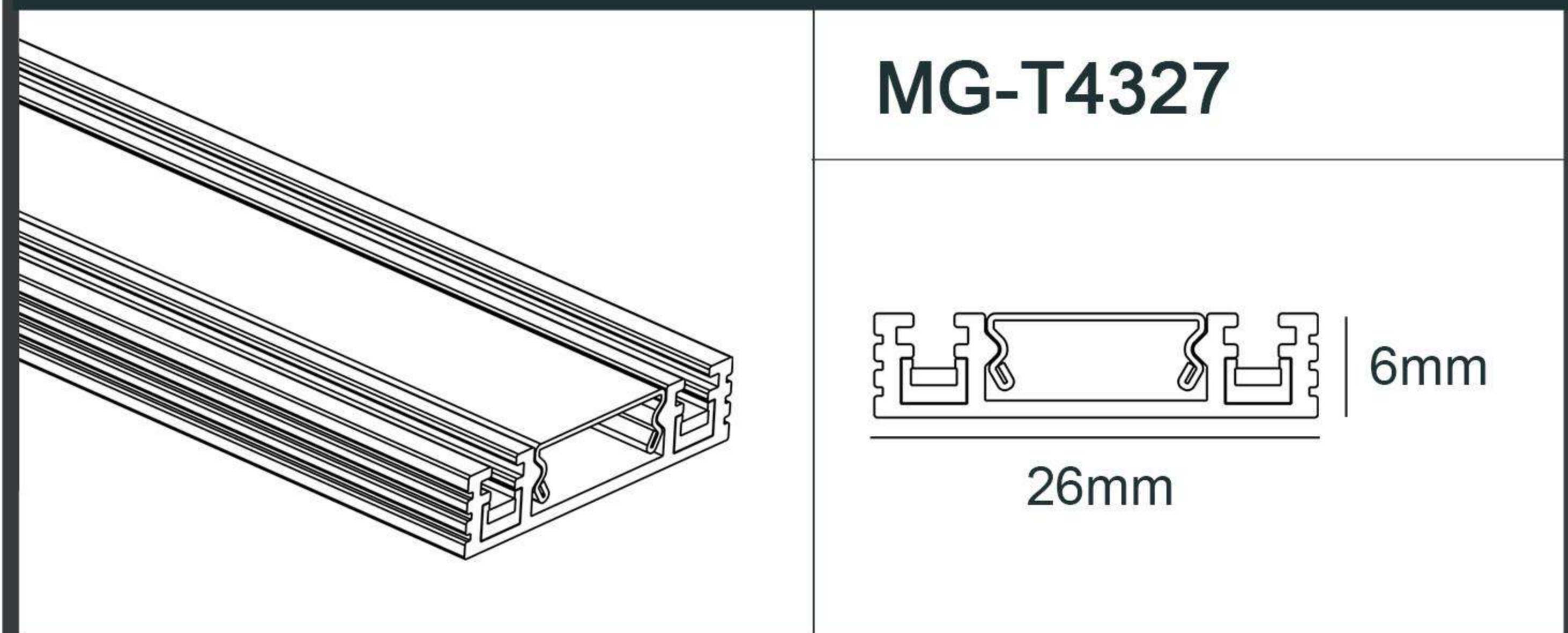


Please read carefully to avoid incorrect installation.

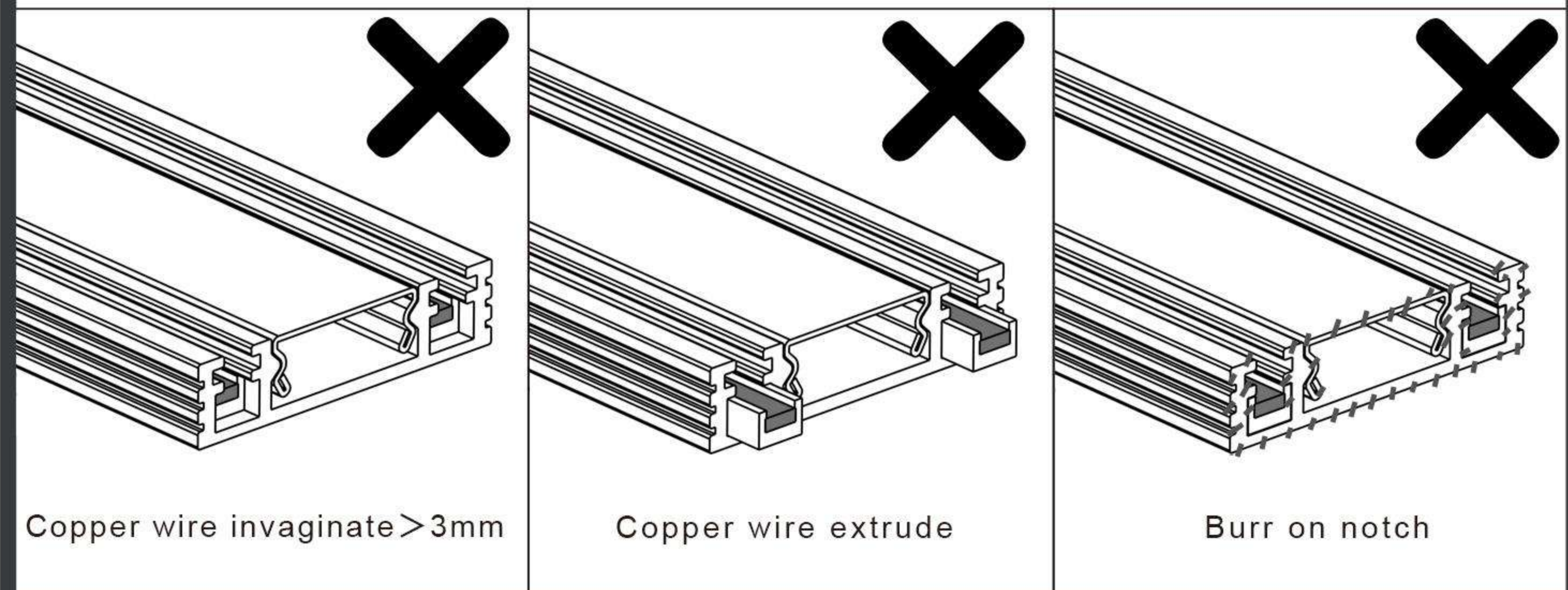
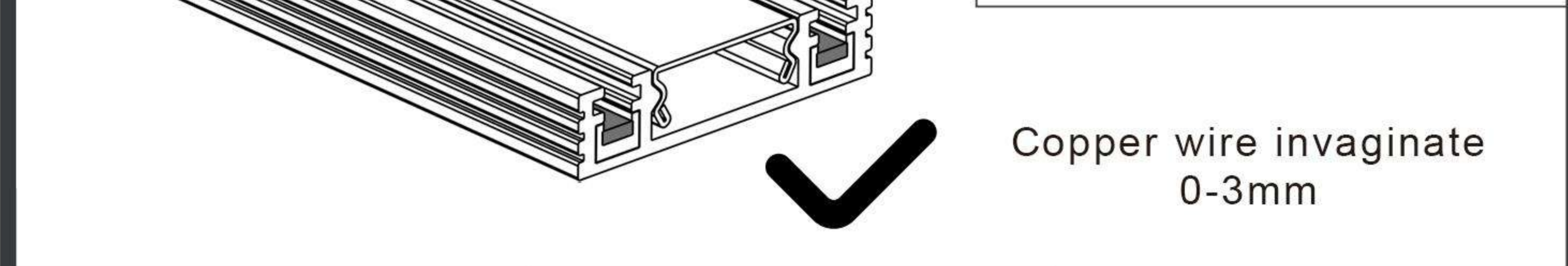
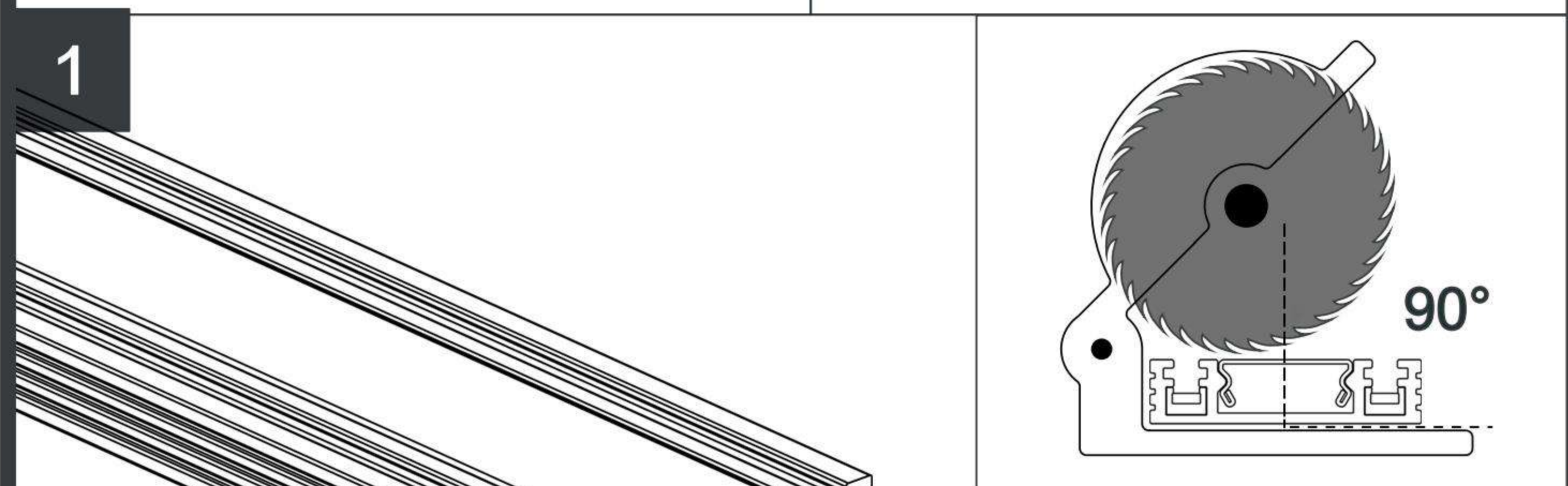
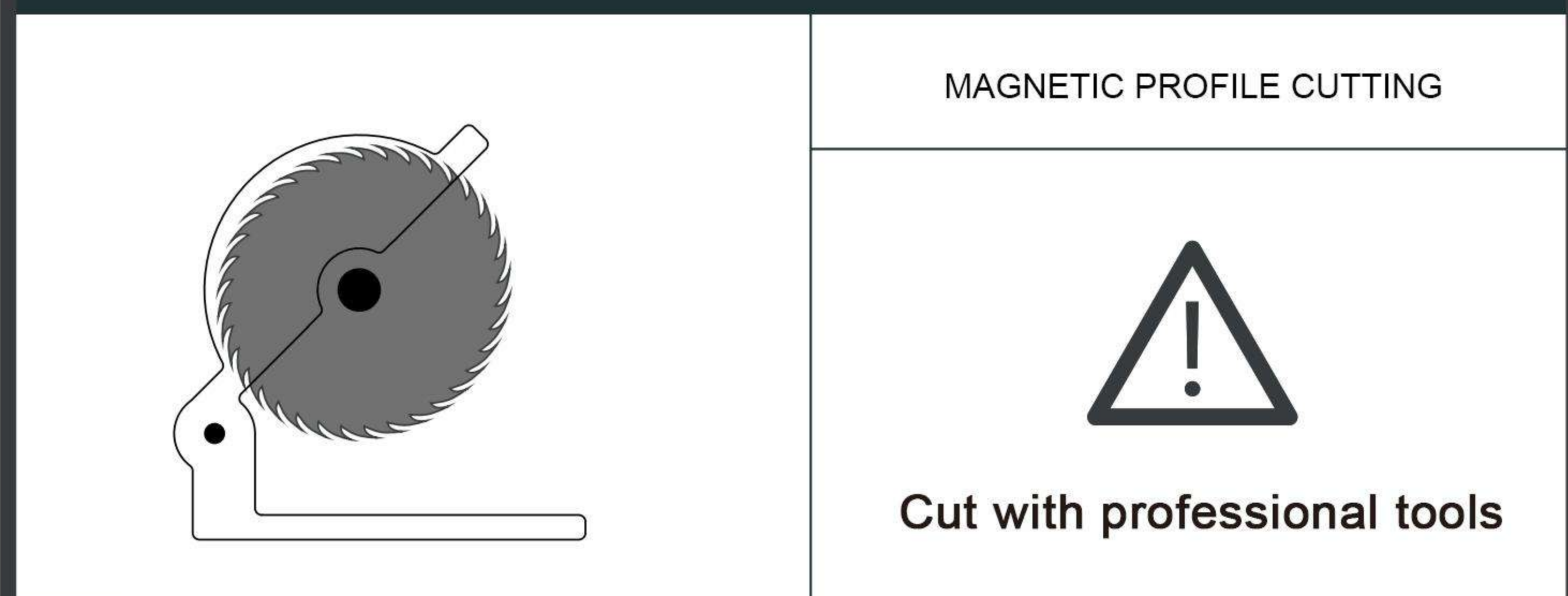


MG-T4327 Ultra-thin Rail

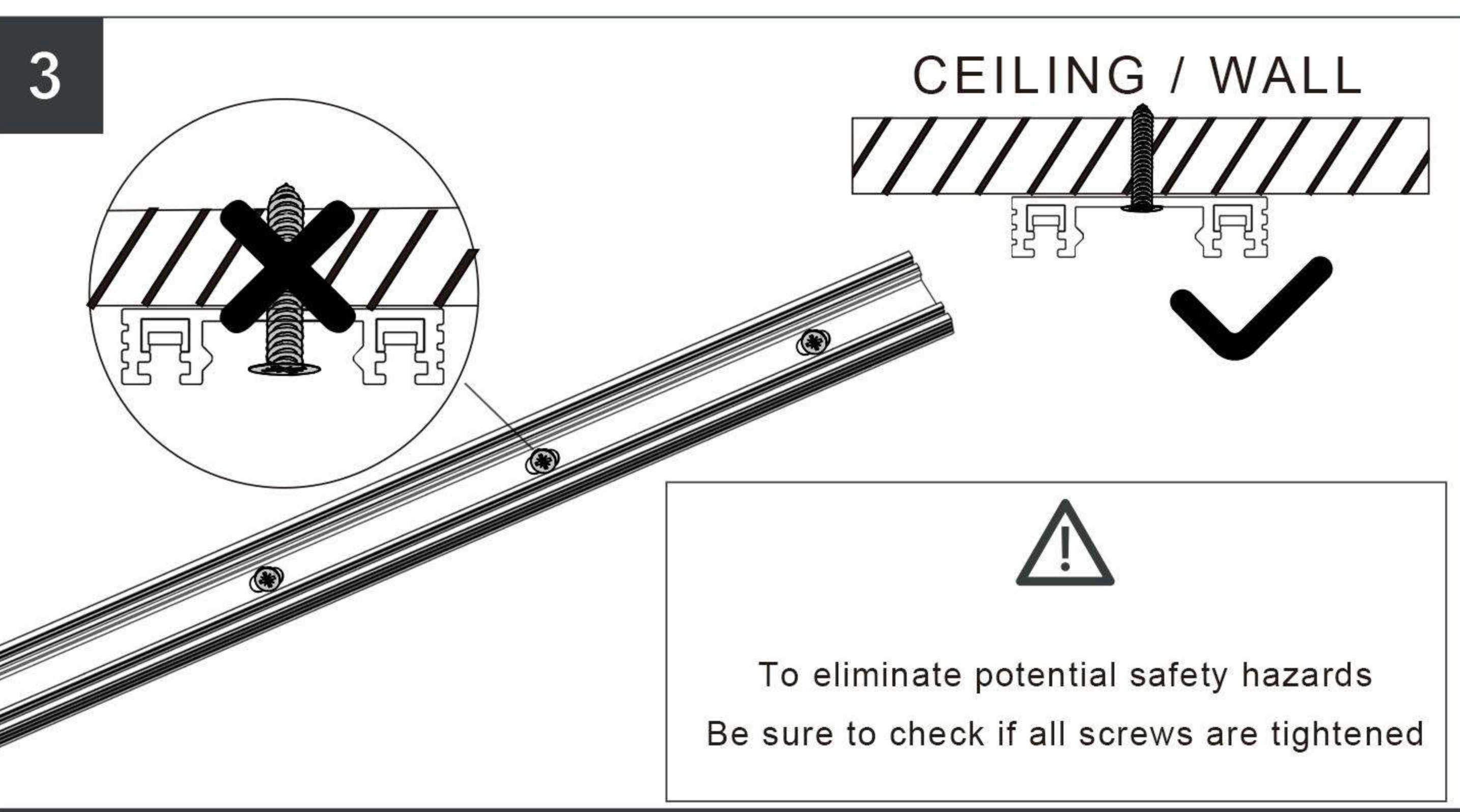
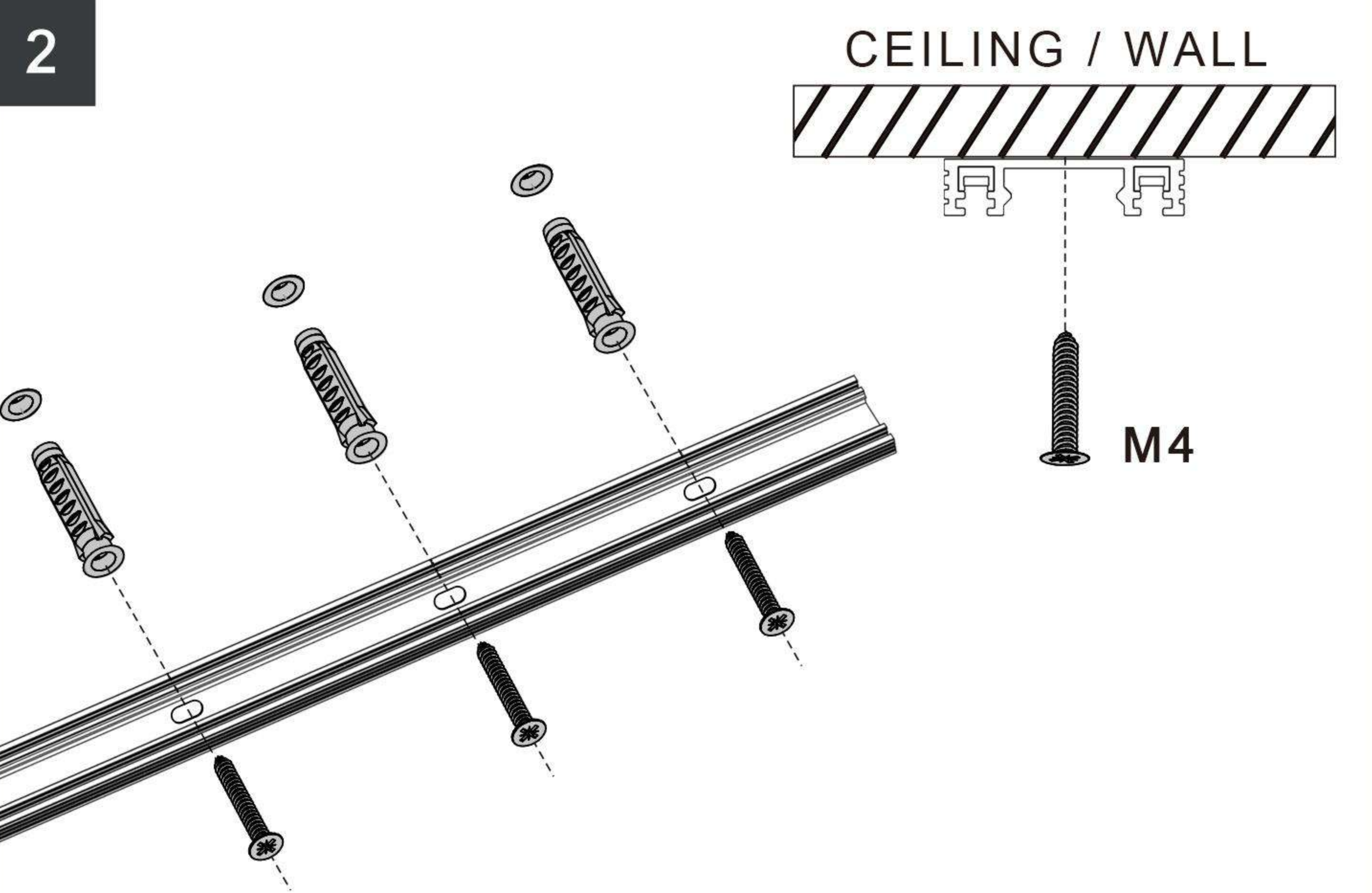
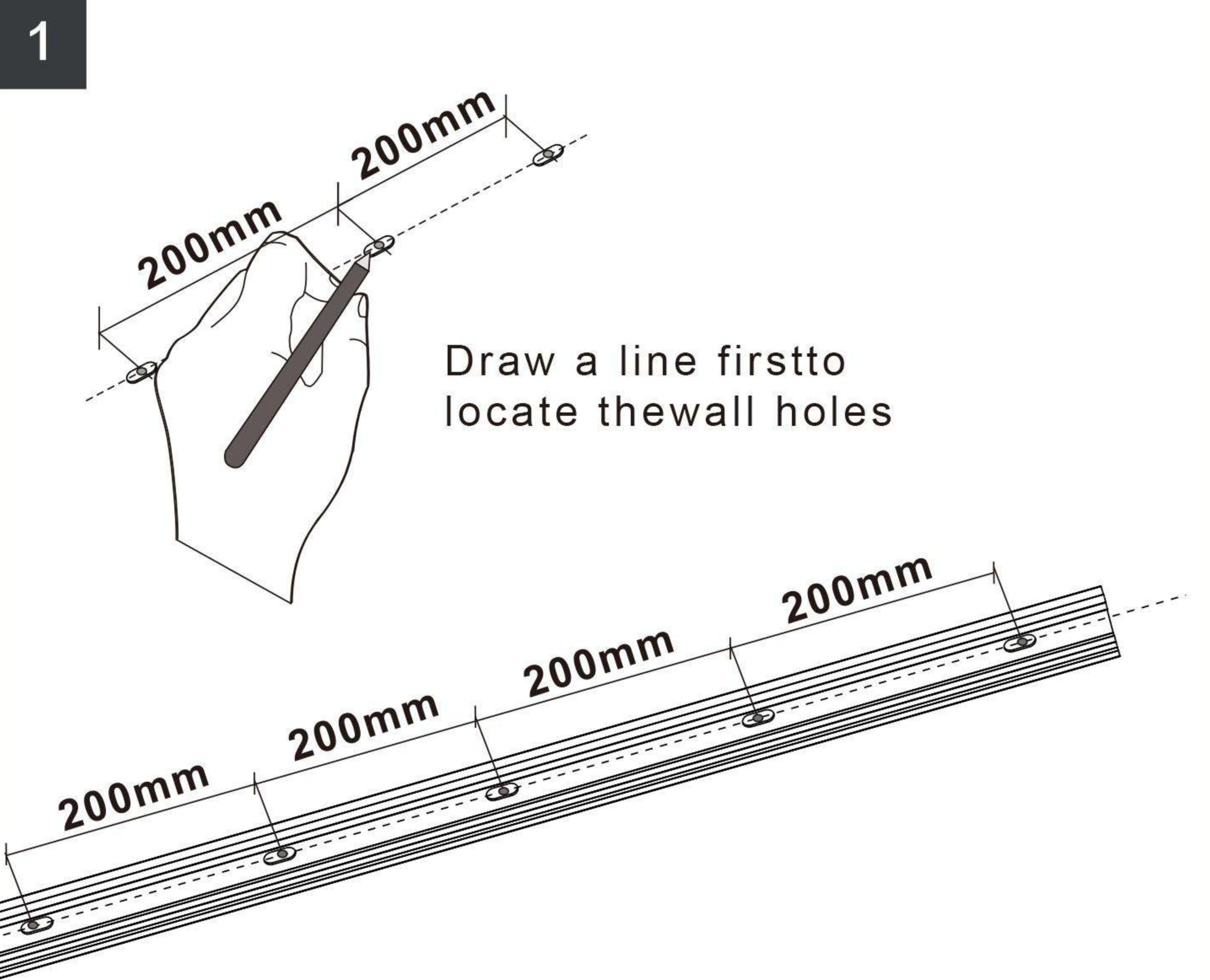
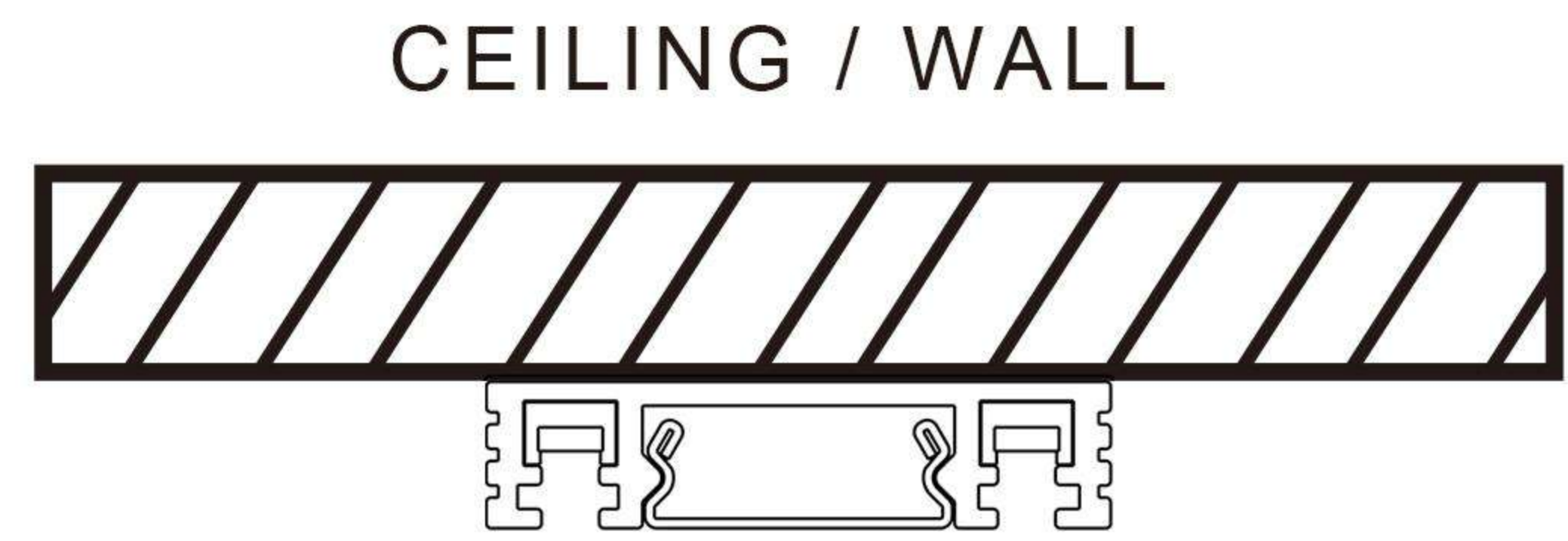


40-48v-constant voltage
Maximum 200W. Maximum 20 meters

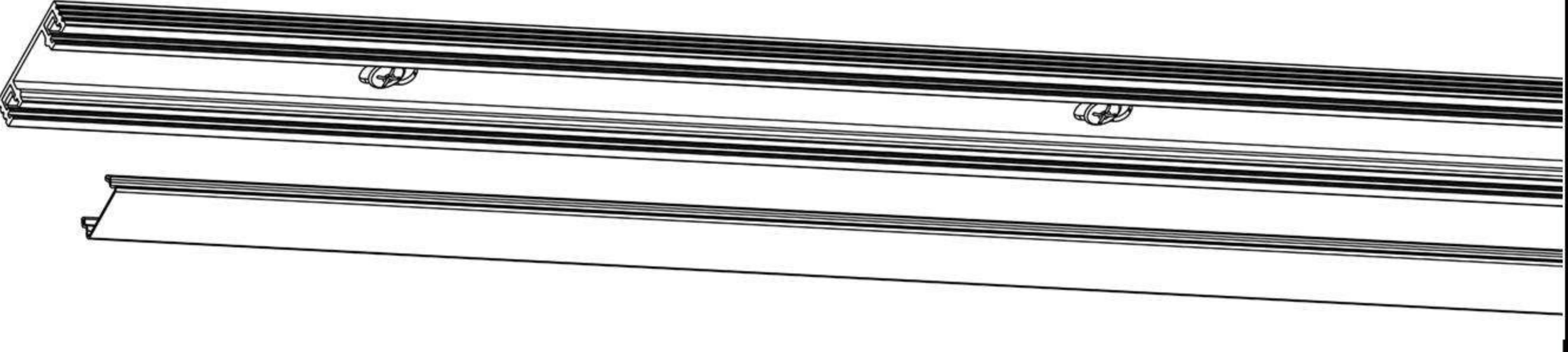
MAGNETIC PROFILE CUTTING



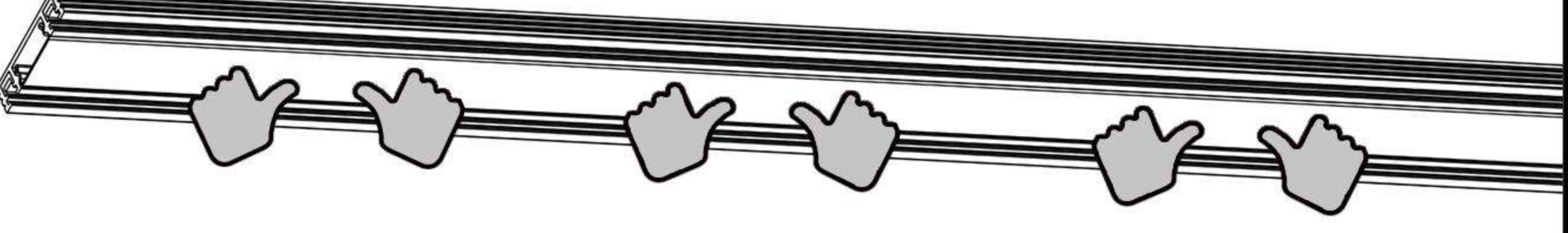
Installation Diagram



4

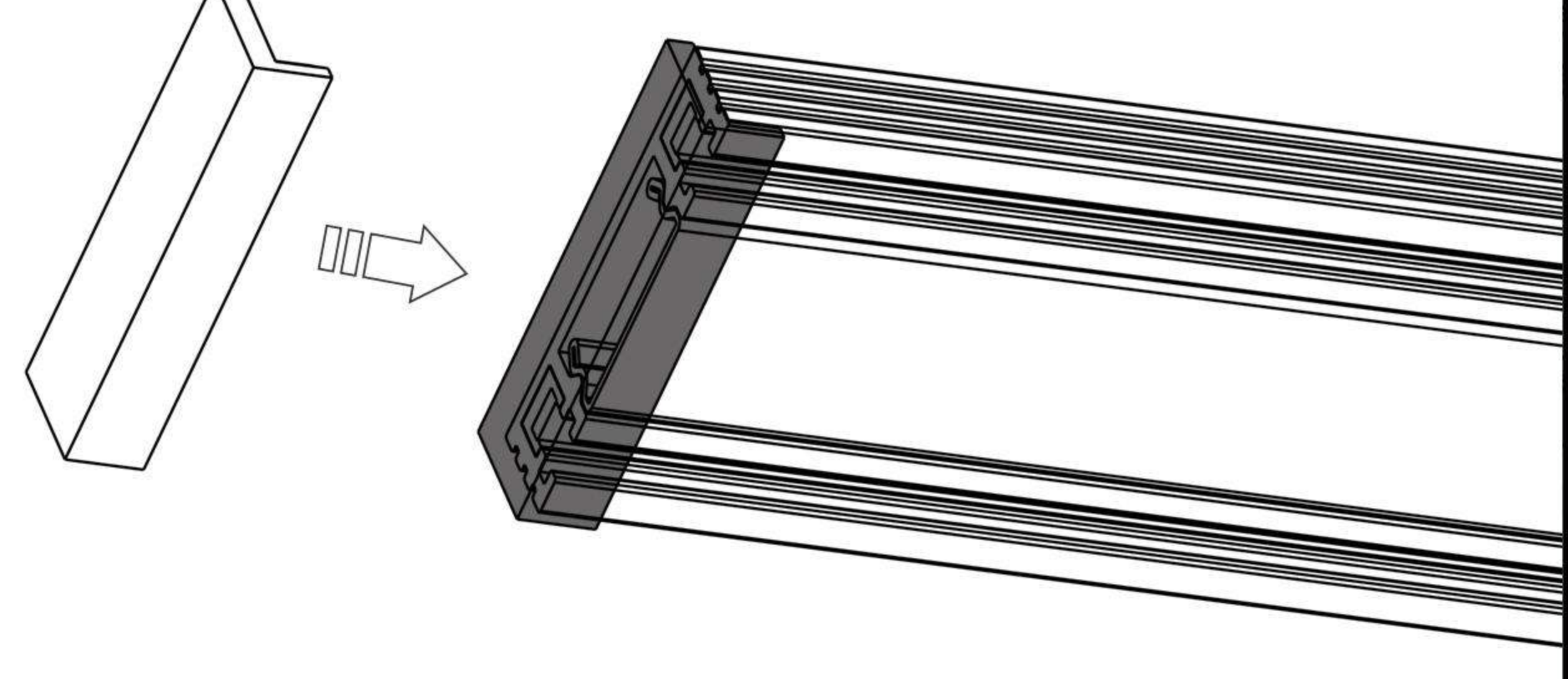


5



Press the steel cover plate until it is fully embedded in the track.

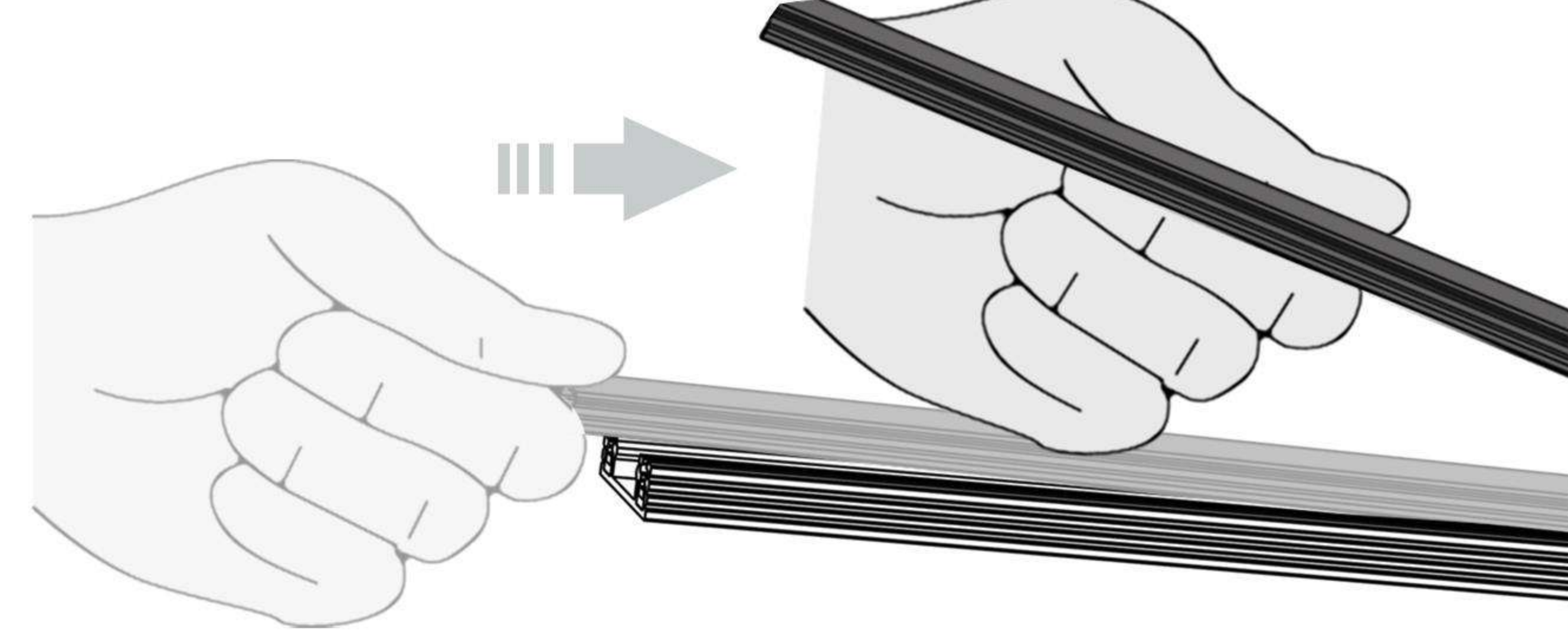
6



⚠ Insert end cap into track end as shown

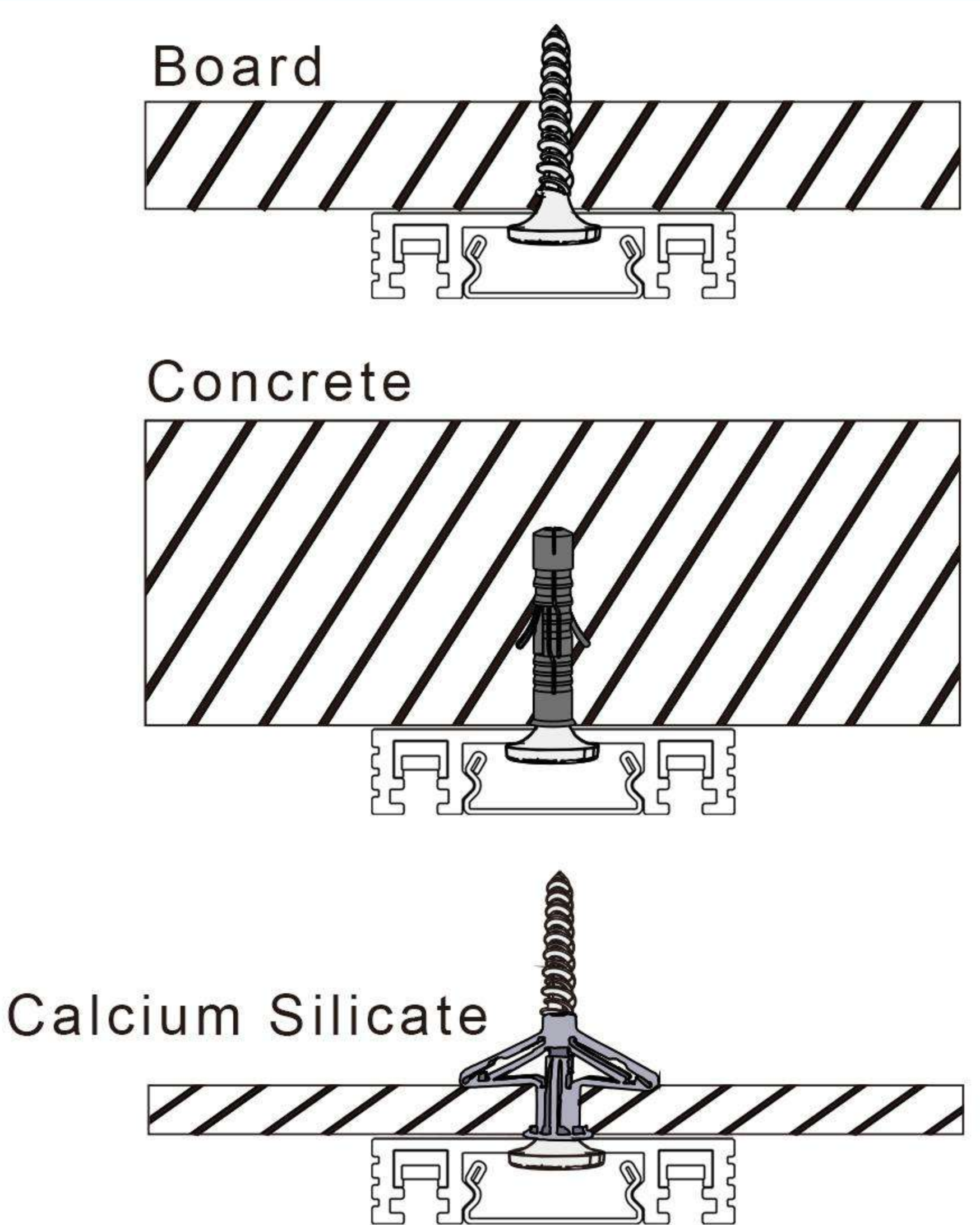
Dismantling the steel cover plate

1



Remove the steel cover plate

Installation Diagram



Board

Concrete

Calcium Silicate